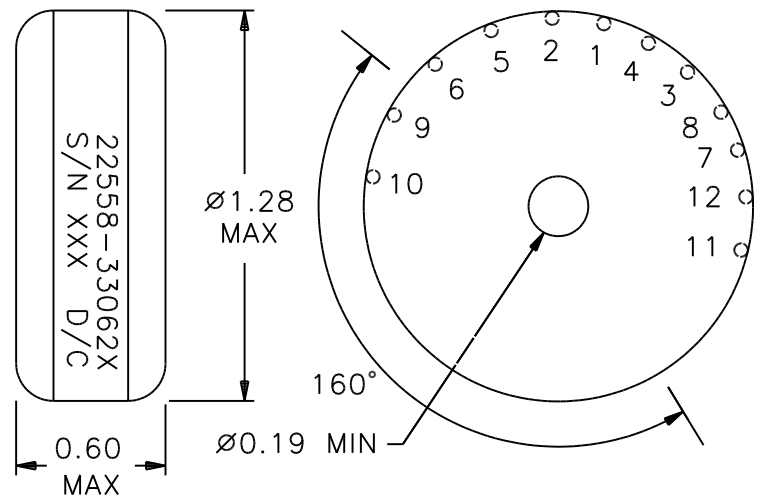


REVISIONS			
REV.	DESCRIPTION	DATE	BY



Leads are 4" long, min.,  
Stripped and Solder Coated 1/2"

**Classification**

MIL-PRF-27 Grade: 6  
MIL-PRF-27 Class: S (130° C)  
Maximum Ambient Temperature: 105° C

**MIL-STD-981 Quality Assurance Provisions**

Class	Description	Drawing Number <sup>1</sup>
C	Commercial Parts	33062-30
B	Group A Inspection	33062-31B
E	Group A Inspection	33062-31S
S	Group A Inspection	33062-31S and
	Group B Inspection	33062-85

<sup>1</sup> The germane data will ship with the hardware.

<u>Maximum Operating Load Conditions</u>	
E(1 - 2) = 22 V <sub>RMS</sub> , 200KHz	
P(3 - 4) = 45.08 W	P(5 - 6) = 4.22 W
P(7 - 8) = 14.90 W	P(9 - 10) = 3.51 W
P(11 - 12) = 1.94 W	P <sub>TOTAL</sub> = 69.65 W

**Electrical Characteristics**

DC Resistance: (1 - 2) = 3.9 mΩ (7 - 8) = 70.5 mΩ  
(Maximum) (3 - 4) = 3.2 mΩ (9 - 10) = 40.8 mΩ  
(5 - 6) = 24.3 mΩ (11 - 12) = 212 mΩ

Ratio and Polarity: 3 - 4/1 - 2 = 0.60 ± 0.03  
5 - 6/1 - 2 = 0.50 ± 0.02  
9 - 10/1 - 2 = 0.70 ± 0.02  
1 - 2/7 - 8 = 0.53 ± 0.01  
1 - 2/11 - 12 = 0.56 ± 0.01

Inductance (measured at 0.5 V, 10 KHz):  
(1 - 2) = 140 μH Minimum

**These Parts Are Manufactured in Strict Compliance to MIL-STD-981.**

The "X" in the part number refers to the Quality Level (C, B, E, or S), see Quality Assurance Provisions above.	UNLESS OTHERWISE SPECIFIED: Dimensions are in inches, and tolerances are:		<b>COAST/ACM</b>			
	Fractions ±1/64	Decimals .XX = ±0.03 .XXX = ±0.010	Angles ±1/2°	TITLE <b>Power Transformer</b>		
	DRAWN BY Jim Allen	DATE 10/27/03	FSCM 22558	DWG. NO 33062X	REV.	
DO NOT SCALE DRAWING			SCALE: none	MAX. WT.: 54 grams	SHEET 1 OF 1	