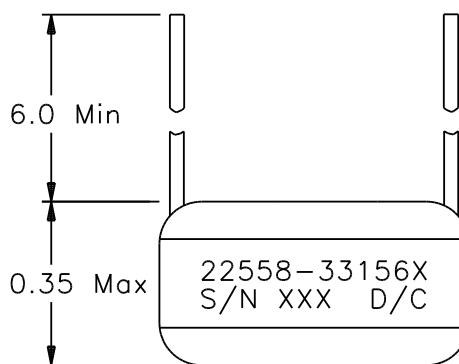
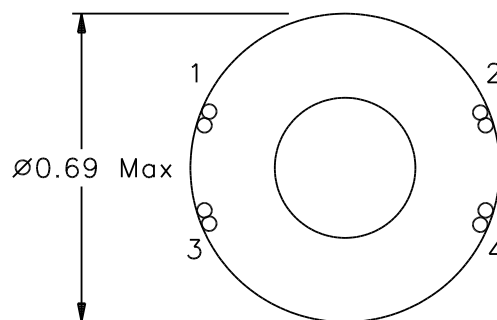


| REVISIONS | | | |
|-----------|-------------|------|----|
| REV. | DESCRIPTION | DATE | BY |
| | | | |



Classification

MIL-PRF-27 Grade: 6
 MIL-PRF-27 Class: S (130° C)
 Maximum Ambient Temperature: 105° C

MIL-STD-981 Quality Assurance Provisions

| Class | Description | Drawing Number ¹ |
|-------|--------------------|-----------------------------|
| C | Commercial Parts | 33156-30 |
| B | Group A Inspection | 33156-31B |
| E | Group A Inspection | 33156-31S |
| S | Group A Inspection | 33156-31S and |
| | Group B Inspection | 33156-85 |

¹ The germane data will ship with the hardware.

LOAD CONDITIONS

E1-2 = 0.1V_{RMS}, 10kHz P_{TOTAL} < 0.8W

Electrical Characteristics

DC Resistance: (1 - 2) = 11.5 mΩ Maximum Ratio and Polarity:
 (3 - 4) = 11.5 mΩ Maximum 3 - 4/1 - 2 = 1.00 ± 0.02

Inductance (measured at 0.1 V, 10 KHz):
 (1 - 2) = 95 μH ±20%, IDC = 0A

These Parts Are Manufactured in Strict Compliance to MIL-STD-981.

| | | | | | |
|---|--|---|------------------|-----------------------------|--------------------------|
| The "X" in the part number refers to the Quality Level (C, B, E, or S), see Quality Assurance Provisions above. | UNLESS OTHERWISE SPECIFIED: Dimensions are in inches, and tolerances are: | | COAST/ACM | | |
| | Fractions | Decimals | Angles | TITLE Transformer | |
| | ±1/64 | .X = ±0.1 .XX = ±0.03 .XXX = ±0.010 | ±5° | FSCM 22558 | DWG. NO 33156X |
| DO NOT SCALE DRAWING | DRAWN BY Jim Allen | DATE 05/21/04 | SCALE: none | MAX. WT.: 12 grams | SHEET 1 OF 1 |