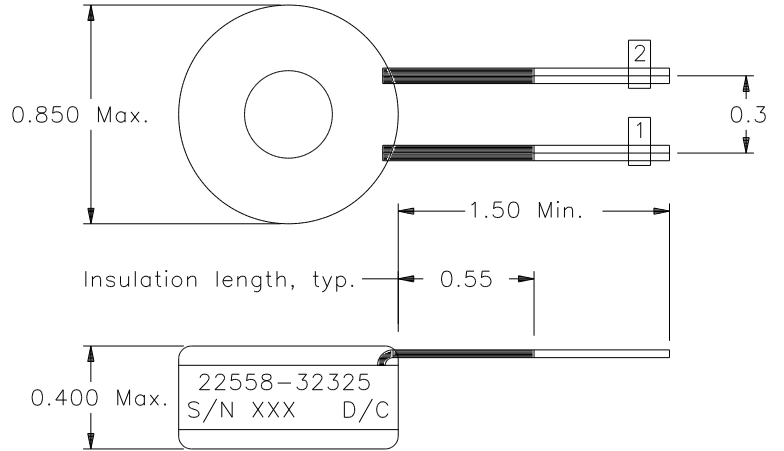


REVISIONS			
REV.	DESCRIPTION	DATE	BY



Classification

MIL-PRF-27 Grade: 6
 MIL-PRF-27 Class: S (130° C)
 Maximum Ambient Temperature: 105° C

MIL-STD-981 Quality Assurance Provisions

Class	Description	Drawing Number ¹
C	Commercial Parts	32325-30
B	Group A Inspection	32325-31B
E	Group A Inspection	32325-31S
S	Group A Inspection	32325-31S and
	Group B Inspection	32325-85

¹ The germane data will ship with the hardware.

LOAD CONDITIONS
 IDC (1 - 2) = 5.0A P_{TOTAL} = 0.625 W

Electrical Characteristics

DC Resistance: (1 - 2) = 25 mΩ Maximum

Inductance (measured at 1.0 V, 10 KHz):

(1 - 2) = 38 μH +15%, -10%, IDC = 0A

(1 - 2) = 28 μH Min., IDC = 5.0 A

These Parts Are Manufactured in Strict Compliance to MIL-STD-981.

The "X" in the part number refers to the Quality Level (C, B, E, or S), see Quality Assurance Provisions above.	UNLESS OTHERWISE SPECIFIED: Dimensions are in inches, and tolerances are:		COAST/ACM		
	Fractions	Decimals	Angles	TITLE Inductor	
	±1/64	.X = ±0.1 .XX = ±0.03 .XXX = ±0.010	±5°	FSCM 22558	DWG. NO 32325X
DO NOT SCALE DRAWING	DRAWN BY Jim Allen	DATE 08/20/02	SCALE: none	MAX. WT.: 17 grams	SHEET 1 OF 1