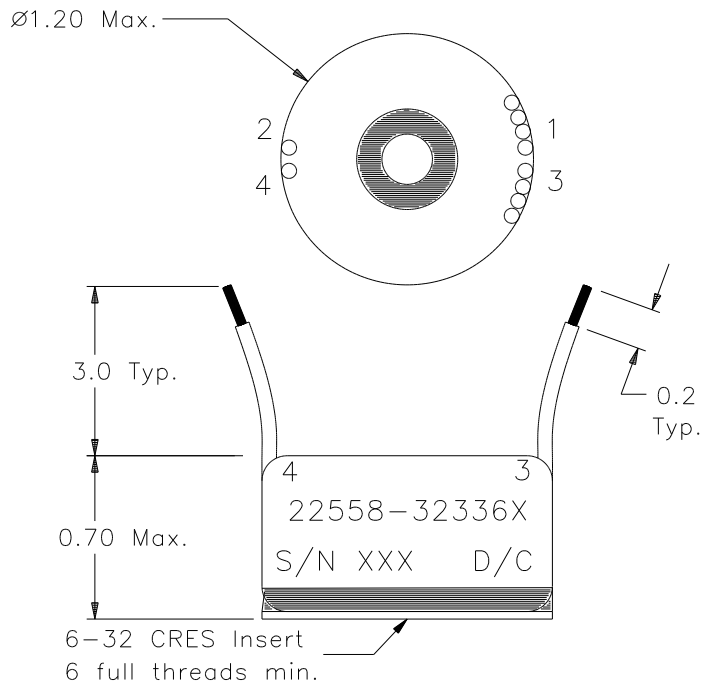


REVISIONS			
REV.	DESCRIPTION	DATE	BY



Classification

MIL-PRF-27 Grade: 6
 MIL-PRF-27 Class: S (130° C)
 Maximum Ambient Temperature: 105° C

MIL-STD-981 Quality Assurance Provisions

Class	Description	Drawing Number ¹
C	Commercial Parts	32336-30
B	Group A Inspection	32336-31B
E	Group A Inspection	32336-31S
S	Group A Inspection Group B Inspection	32336-31S and 32336-85

¹ The germane data will ship with the hardware.

Electrical Characteristics

DC Resistance: (1 - 2) = 7.7 mΩ Maximum
 (3 - 4) = 7.7 mΩ Maximum

Ratio and Polarity:
 1 - 2/3 - 4 = 1.00 ± 0.01

Inductance (measured at 1.0V, 10 KHz):
 (1 - 2) = 414 μH Minimum, IDC = 0

LOAD CONDITIONS		
Terminals	IDC A	P = I ² R W
1 - 2	10.0	0.77
3 - 4	10.0	0.77
		PTOTAL = 1.44 W

These Parts Are Manufactured in Strict Compliance to MIL-STD-981.

The "X" in the part number refers to the Quality Level (C, B, E or S), see Quality Assurance Provisions above.	UNLESS OTHERWISE SPECIFIED: Dimensions are in inches, and tolerances are:		COAST/ACM		
	Fractions	Decimals	Angles	TITLE	
	±1/64	.X = ±0.1 .XX = ±0.03 .XXX = ±0.010	±1/2°	Common Mode Choke	
	DRAWN BY	DATE	FSCM	DWG. NO	REV.
	Jim Allen	1/22/03	22558	32336X	
DO NOT SCALE DRAWING			SCALE: none	MAX. WT.: 36 grams	SHEET 1 OF 1