

REVISIONS			
REV.	DESCRIPTION	DATE	BY

Marking

Bag and Tag:

22558-32312X

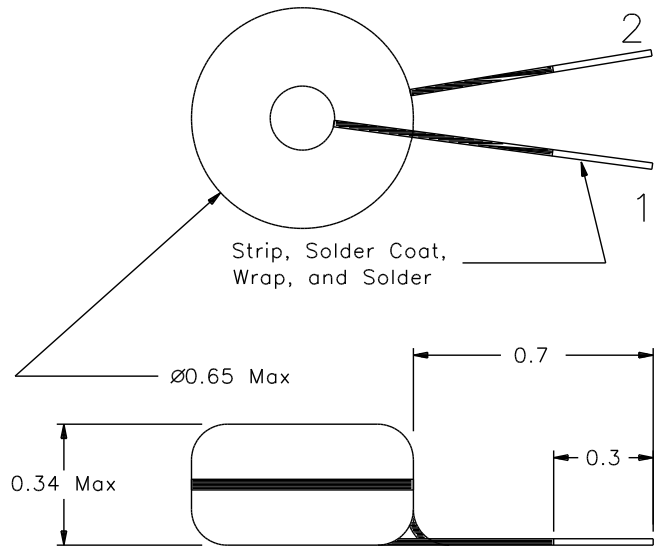
S/N XXX

D/C

Leads identified with tags.

Classification

MIL-PRF-27 Grade: 6
 MIL-PRF-27 Class: S (130° C)
 Maximum Ambient Temperature: 105° C



MIL-STD-981 Quality Assurance Provisions

Class	Description	Drawing Number ¹
C	Commercial Parts	32312-30
B	Group A Inspection	32312-31B
E	Group A Inspection	32312-31S
S	Group A Inspection	32312-31S and Group B Inspection
		32312-85

¹ The germane data will ship with the hardware.

LOAD CONDITIONS
 IDC (1 - 2) = 2.25A P_{TOTAL} < 0.10 W

Electrical Characteristics

DC Resistance: (1 - 2) = 14 mΩ Maximum

Inductance (measured at 0.1 V, 10 KHz):
 (1 - 2) = 44 μH ± 10%, IDC = 0A
 (1 - 2) = 28.5 μH Min., IDC = 2.25 A

These Parts Are Manufactured in Strict Compliance to MIL-STD-981.

The "X" in the part number refers to the Quality Level (C, B, E, or S), see Quality Assurance Provisions above.	UNLESS OTHERWISE SPECIFIED: Dimensions are in inches, and tolerances are:		COAST/ACM		
	Fractions	Decimals	Angles	TITLE	
	±1/64	.X = ±0.1 .XX = ±0.02 .XXX = ±0.010	±5°	Inductor, Noise Suppressor	
	DRAWN BY	DATE	FSCM	DWG. NO	REV.
	Jim Allen	11/08/02	22558	32312X	
DO NOT SCALE DRAWING			SCALE: none	MAX. WT.: 7.0 grams	SHEET 1 OF 1