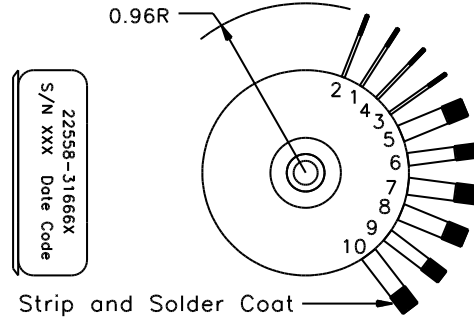


REVISIONS			
REV.	DESCRIPTION	DATE	BY

Classification

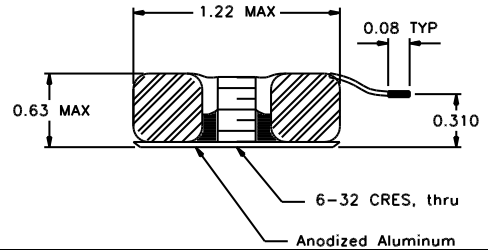
MIL-PRF-27 Grade: 6
 MIL-PRF-27 Class: S (130° C)
 Maximum Ambient Temperature: 105° C



MIL-STD-981 Quality Assurance Provisions

Class	Description	Drawing Number ¹
C	Commercial Parts	31666-30
B	Group A Inspection	31666-31B
E	Group A Inspection	31666-31S
S	Group A Inspection	31666-31S and
	Group B Inspection	31666-85

¹ The germane data will ship with the hardware.



LOAD CONDITIONS
 IDC (5+6+7 - 8+9+10) = 11.4A
 Equivalent Rated Load (I²R) = 0.455 W

Note: Assembly fixture 31666-76/NC required to form lead placement.

Electrical Characteristics

DC Resistance: (1 - 2) = 220 mΩ Maximum
 (3 - 4) = 220 mΩ Maximum
 (5+6+7 - 8+9+10) = 3.5 mΩ Maximum

Ratio and Polarity:
 8+9+10 - 5+6+7/1 - 2 = 0.350 ± 1%
 8+9+10 - 5+6+7/3 - 4 = 0.350 ± 1%

Inductance (measured at 0.1 V, 10 KHz):
 (5+6+7 - 8+9+10) = 18 μH +40%, -20%, IDC = 0
 (5+6+7 - 8+9+10) = 11 μH Min., IDC = 11.4 A

These Parts Are Manufactured in Strict Compliance to MIL-STD-981.

The "X" in the part number refers to the Quality Level (C, B, E or S), see Quality Assurance Provisions above.	UNLESS OTHERWISE SPECIFIED: Dimensions are in inches, and tolerances are:		COAST/ACM		
	Fractions	Decimals	Angles	TITLE	
	±1/64	.X = ±0.1 .XX = ±0.02 .XXX = ±0.010	±1/2°	Coupled Inductor	
	DRAWN BY	DATE	FSCM	DWG. NO	REV.
	Jim Allen	06/11/02	22558	31666X	
DO NOT SCALE DRAWING			SCALE: none	MAX. WT.: 36 grams	SHEET 1 OF 1