

REVISIONS			
REV.	DESCRIPTION	DATE	BY

Marking

Bag and Tag with:  
 22558-32306X  
 3 place S/N and Date Code

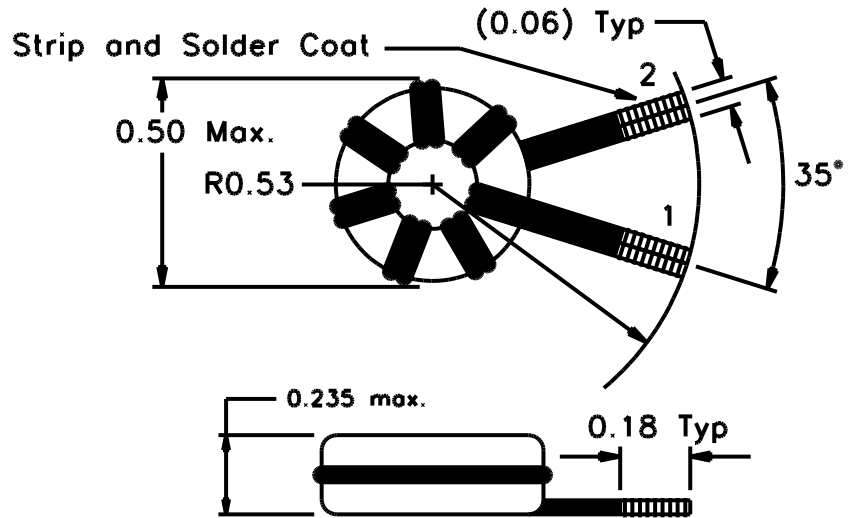
Classification

MIL-PRF-27 Grade: 6  
 MIL-PRF-27 Class: S (130° C)  
 Maximum Ambient Temperature: 105° C

MIL-STD-981 Quality Assurance Provisions

Class	Description	Drawing Number <sup>1</sup>
C	Commercial Parts	32306-30
B	Group A Inspection	32306-31B
E	Group A Inspection	32306-31S
S	Group A Inspection	32306-31S and
	Group B Inspection	32306-85

<sup>1</sup> The germane data will ship with the hardware.



LOAD CONDITIONS	
I(1 - 2) = 6.0 A	P <sub>TOTAL</sub> = 0.22 W

Electrical Characteristics

DC Resistance: (1 - 2) = 6.0 mΩ Maximum

Inductance (measured at 0.1 V, 10 KHz):

(1 - 2) = 64 μH ±20%, IDC = 0A

**These Parts Are Manufactured in Strict Compliance to MIL-STD-981.**

The "X" in the part number refers to the Quality Level (C, B, E, or S), see Quality Assurance Provisions above.	UNLESS OTHERWISE SPECIFIED: Dimensions are in inches, and tolerances are: Fractions      Decimals      Angles ±1/64      .X = ±0.1      ±5° .XX = ±0.02 .XXX = ±0.010		<b>COAST/ACM</b>		
	DRAWN BY      DATE Jim Allen      08/20/02		TITLE <b>Inductor</b>		
	DO NOT SCALE DRAWING		FSCM <b>22558</b>	DWG. NO <b>32306X</b>	REV.