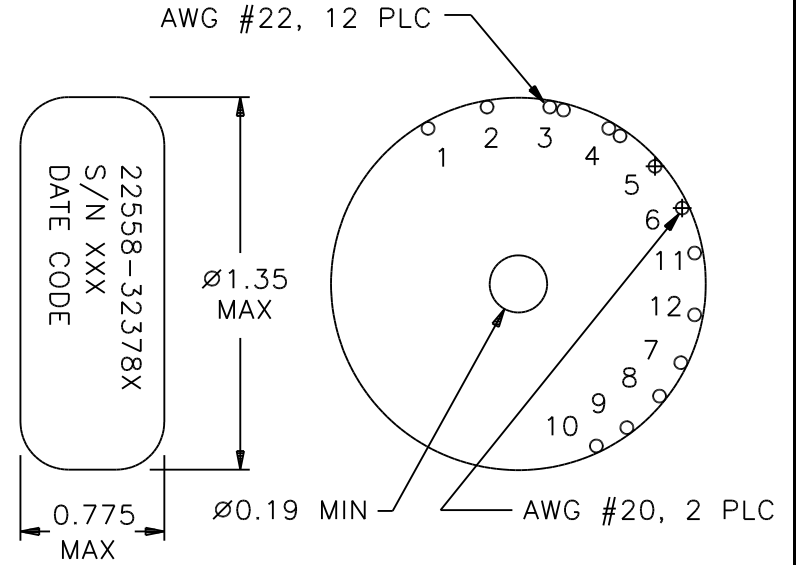


REVISIONS			
REV.	DESCRIPTION	DATE	BY



Leads: 4" long, min., striped and solder coated 1/2"

**Classification**

MIL-PRF-27 Grade: 6  
 MIL-PRF-27 Class: S (130° C)  
 Maximum Ambient Temperature: 105° C

**MIL-STD-981 Quality Assurance Provisions**

Class	Description	Drawing Number <sup>1</sup>
C	Commercial Parts	32378-30
B	Group A Inspection	32378-31B
E	Group A Inspection	32378-31S
S	Group A Inspection	32378-31S and
	Group B Inspection	32378-85

<sup>1</sup> The germane data will ship with the hardware.

Maximum Operating Load Conditions	
E(1 - 2) = 70 VRMS, 200KHz	
P(3 - 4) = 10.4 W	P(5 - 6) = 18.2 W
P(7 - 8) = 10.7 W	P(9 - 10) = 6.7 W
P(11 - 12) = 2.2 W	PTOTAL = 48.2 W

**Electrical Characteristics**

DC Resistance: (1 - 2) = 29 mΩ Maximum  
 (3 - 4) = 6.6 mΩ Maximum  
 (5 - 6) = 11 mΩ Maximum  
 (7 - 8) = 18 mΩ Maximum  
 (9 - 10) = 53 mΩ Maximum  
 (11 - 12) = 89 mΩ Maximum

Ratio and Polarity: 3 - 4/1 - 2 = 0.133 ± 0.002  
 5 - 6/1 - 2 = 0.267 ± 0.002  
 7 - 8/1 - 2 = 0.267 ± 0.002  
 9 - 10/1 - 2 = 0.533 ± 0.002  
 11 - 12/1 - 2 = 0.533 ± 0.002

Inductance (measured at 0.5 V, 10 KHz):  
 (1 - 2) = 1.29 mH Minimum

**These Parts Are Manufactured in Strict Compliance to MIL-STD-981.**

The "X" in the part number refers to the Quality Level (C, B, E, or S), see Quality Assurance Provisions above.	UNLESS OTHERWISE SPECIFIED: Dimensions are in inches, and tolerances are:		<b>COAST/ACM</b>		
	Fractions ±1/64	Decimals .XX = ±0.03 .XXX = ±0.010	Angles ±1/2°	TITLE <b>Power Transformer</b>	
	DRAWN BY Jim Allen	DATE 04/28/03	FSCM 22558	DWG. NO 32378X	REV.
DO NOT SCALE DRAWING	Jim Allen	04/28/03	SCALE: none	MAX. WT.: 60 grams	SHEET 1 OF 1