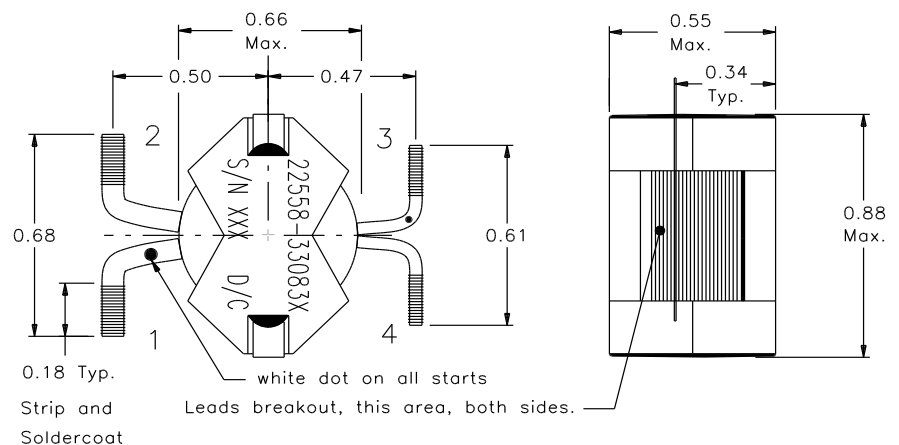


REVISIONS			
REV.	DESCRIPTION	DATE	BY



Classification

MIL-PRF-27 Grade: 6
 MIL-PRF-27 Class: S (130° C)
 Maximum Ambient Temperature: 105° C

MIL-STD-981 Quality Assurance Provisions

Class	Description	Drawing Number ¹
C	Commercial Parts	33083-30
B	Group A Inspection	33083-31B
E	Group A Inspection	33083-31S
S	Group A Inspection	33083-31S and
	Group B Inspection	33083-85

Maximum Operating Load Conditions	
P(1 - 2) = 230 mW	(IDC = 7.0A)
P(3 - 4) = 104 mW	(IDC = 2.0A)
PTOTAL = 334 mW	

¹ The germane data will ship with the hardware.

Electrical Characteristics

DC Resistance: (1 - 2) = 4.7 mΩ Maximum
 (3 - 4) = 26 mΩ Maximum

Turns Ratio and Polarity (Verified with un-gapped core prior to assembly):

1 - 2/3 - 4 = 0.625 nominal

Inductance (measured at 0.1 V, 10 KHz, IDC = 7.0A):
 (1 - 2) = 4.4 μH Minimum

These Parts Are Manufactured in Strict Compliance to MIL-STD-981.

The "X" in the part number refers to the Quality Level (C, B, E, or S), see Quality Assurance Provisions above.	UNLESS OTHERWISE SPECIFIED: Dimensions are in inches, and tolerances are:		COAST/ACM		
	Fractions ±1/64	Decimals .XX = ±0.03 .XXX = ±0.010	Angles ±1/2°	TITLE Coupled Inductor	
	DRAWN BY Jim Allen	DATE 01/05/04	FSCM 22558	DWG. NO 33083X	REV.
DO NOT SCALE DRAWING			SCALE:	MAX. WT.: 15 grams	SHEET 1 OF 1