

REVISIONS			
REV.	DESCRIPTION	DATE	BY

Marking

Bag and Tag:

22558-33058X

S/N XXX

D/C

Leads identified with tags.

Classification

MIL-PRF-27 Grade:

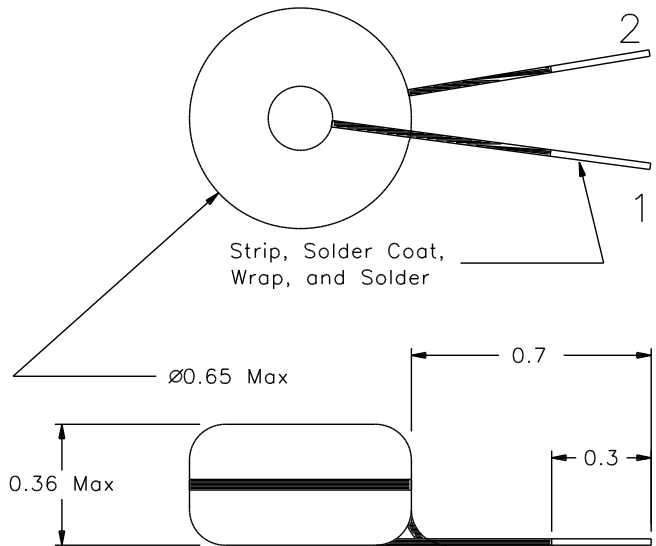
6

MIL-PRF-27 Class:

S (130° C)

Maximum Ambient Temperature:

105° C



MIL-STD-981 Quality Assurance Provisions

Class	Description	Drawing Number ¹
C	Commercial Parts	33058-30
B	Group A Inspection	33058-31B
E	Group A Inspection	33058-31S
S	Group A Inspection	33058-31S and
	Group B Inspection	33058-85

¹ The germane data will ship with the hardware.

LOAD CONDITIONS	
IDC (1 - 2) = 2.25A	P _{TOTAL} < 0.2 W

Electrical Characteristics

DC Resistance: (1 - 2) = 35 mΩ Maximum

Inductance (measured at 0.1 V, 10 KHz):

(1 - 2) = 130 μH ± 10%, IDC = 0A

(1 - 2) = 60 μH Min., IDC = 2.25 A

These Parts Are Manufactured in Strict Compliance to MIL-STD-981.

The "X" in the part number refers to the Quality Level (C, B, E, or S), see Quality Assurance Provisions above.	UNLESS OTHERWISE SPECIFIED: Dimensions are in inches, and tolerances are:		COAST/ACM		
	Fractions	Decimals	Angles	TITLE	
	±1/64	.X = ±0.1 .XX = ±0.02 .XXX = ±0.010	±5°	Inductor	
	DRAWN BY	DATE	FSCM	DWG. NO	REV.
	Jim Allen	10/27/03	22558	33058X	
DO NOT SCALE DRAWING			SCALE: none	MAX. WT.: 7.0 grams	SHEET 1 OF 1