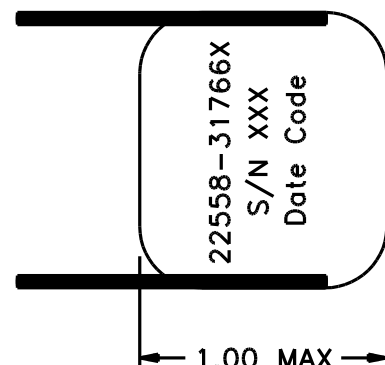
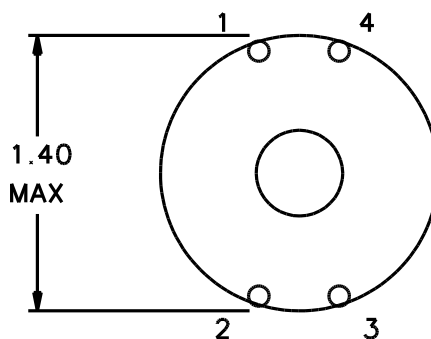


REVISIONS			
REV.	DESCRIPTION	DATE	BY



Leads are self leads 6" minimum long.

Classification

MIL-PRF-27 Grade: 6  
 MIL-PRF-27 Class: S (130° C)  
 Maximum Ambient Temperature: 105° C

MIL-STD-981 Quality Assurance Provisions

Class	Description	Drawing Number <sup>1</sup>
C	Commercial Parts	31766-30
B	Group A Inspection	31766-31B
E	Group A Inspection	31766-31S
S	Group A Inspection	31766-31S and
	Group B Inspection	31766-85

<sup>1</sup> The germane data will ship with the hardware.

LOAD CONDITIONS

(1 - 2): IDC = 14A      I<sup>2</sup>R = 1.18 W  
 (3 - 4): IDC = 14A      I<sup>2</sup>R = 1.18 W  
 P<sub>TOTAL</sub> = 2.36 W

Electrical Characteristics

DC Resistance: (1 - 2) = 6.0 mΩ Maximum  
 (3 - 4) = 6.0 mΩ Maximum

Ratio and Polarity:  
 4 - 3/1 - 2 = 1.00 ± 1%

Inductance (measured at 0.1V, 10 KHz):  
 (1 - 2) = 240 μH Minimum @ IDC = 0 A

**These Parts Are Manufactured in Strict Compliance to MIL-STD-981.**

The "X" in the part number refers to the Quality Level (C, B, E or S), see Quality Assurance Provisions above.	UNLESS OTHERWISE SPECIFIED: Dimensions are in inches, and tolerances are:		<b>COAST/ACM</b>		
	Fractions	Decimals	Angles	TITLE	
	±1/64	.X = ±0.1 .XX = ±0.03 .XXX = ±0.010	±1/2°	<b>Common Mode Inductor</b>	
	DRAWN BY	DATE	FSCM	DWG. NO	REV.
	Jim Allen	05/28/03	22558	31766X	
DO NOT SCALE DRAWING			SCALE: none	MAX. WT.: 40 grams	SHEET 1 OF 1