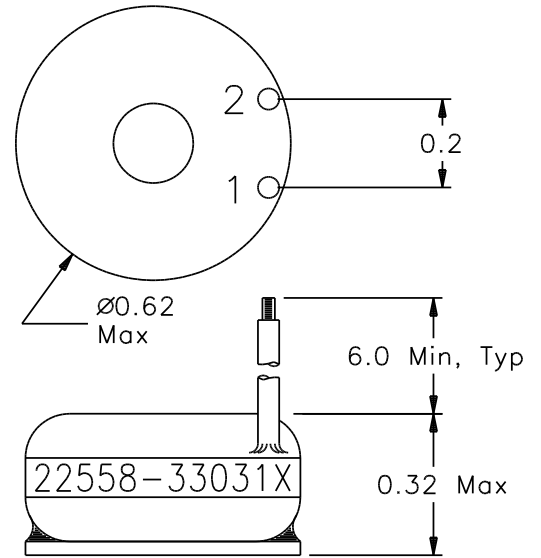


| REVISIONS |             |      |    |
|-----------|-------------|------|----|
| REV.      | DESCRIPTION | DATE | BY |
|           |             |      |    |



**Classification**

MIL-PRF-27 Grade: 6  
 MIL-PRF-27 Class: S (130° C)  
 Maximum Ambient Temperature: 105° C

**MIL-STD-981 Quality Assurance Provisions**

| Class | Description        | Drawing Number <sup>1</sup> |
|-------|--------------------|-----------------------------|
| C     | Commercial Parts   | 33031-30                    |
| B     | Group A Inspection | 33031-31B                   |
| E     | Group A Inspection | 33031-31S                   |
| S     | Group A Inspection | 33031-31S and               |
|       | Group B Inspection | 33031-85                    |

<sup>1</sup> The germane data will ship with the hardware.

| LOAD CONDITIONS    |                           |
|--------------------|---------------------------|
| IDC (1 - 2) = 0.8A | P <sub>TOTAL</sub> < 0.2W |

**Electrical Characteristics**

DC Resistance: (1 - 2) = 110 mΩ Maximum

Inductance (measured at 0.5 V, 10 KHz):  
 (1 - 2) = 124 μH ±10%, IDC = 0A  
 (1 - 2) = 100 μH Min., IDC = 0.5 A

**These Parts Are Manufactured in Strict Compliance to MIL-STD-981.**

|   |  |   |                  |                   |              |
|---|--|---|------------------|-------------------|--------------|
| The "X" in the part number refers to the Quality Level (C, B, E, or S), see Quality Assurance Provisions above. | UNLESS OTHERWISE SPECIFIED:<br>Dimensions are in inches, and tolerances are: |   | <b>COAST/ACM</b> |                   |              |
|   | Fractions  | Decimals                                  | Angles           | TITLE             |              |
|   | ±1/64  | .X = ±0.1<br>.XX = ±0.03<br>.XXX = ±0.010 | ±5°              | <b>Inductor</b>   |              |
|   | DRAWN BY   | DATE                                      | FSCM             | DWG. NO           | REV.         |
|   | Jim Allen  | 08/27/03                                  | 22558            | 33031X            |              |
| DO NOT SCALE DRAWING  |  |   | SCALE: none      | MAX. WT.: 8 grams | SHEET 1 OF 1 |