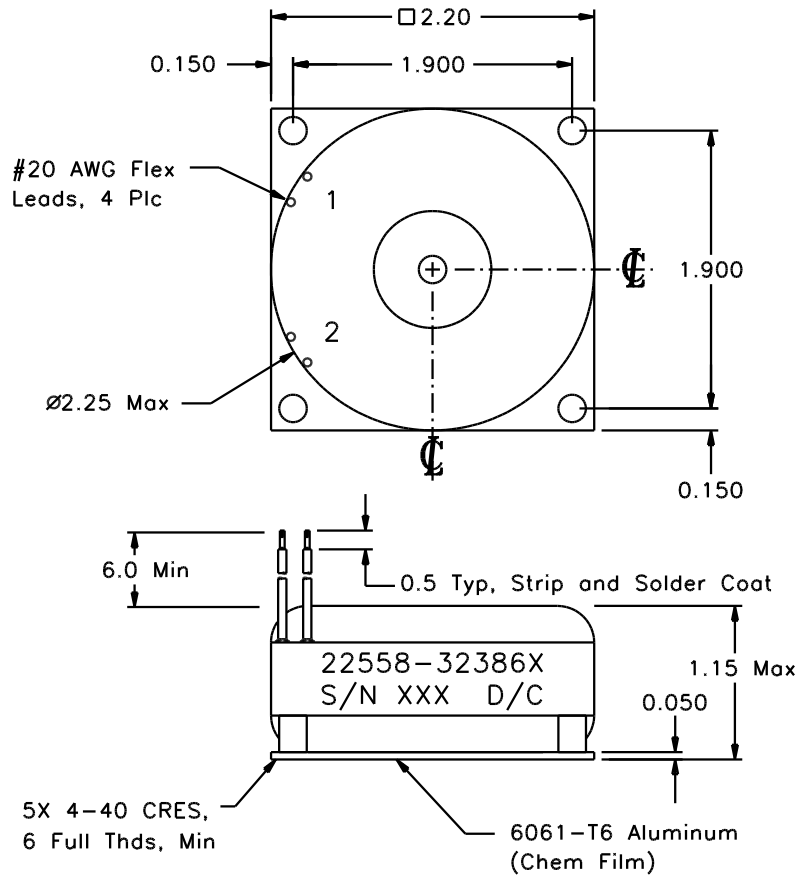


REVISIONS			
REV.	DESCRIPTION	DATE	BY



Classification

MIL-PRF-27 Grade: 6
 MIL-PRF-27 Class: S (130° C)
 Maximum Ambient Temperature: 105° C

MIL-STD-981 Quality Assurance Provisions

Class	Description	Drawing Number ¹
C	Commercial Parts	32386-30
B	Group A Inspection	32386-31B
E	Group A Inspection	32386-31S
S	Group A Inspection	32386-31S and
	Group B Inspection	32386-85

¹ The germane data will ship with the hardware.

Electrical Characteristics

Maximum DC Resistance: (1 - 2) = 33 mΩ

Inductance (measured at 1.0 V, 10kHz):

(1 - 2) = 310 μH, -8%, +16%, IDC = 0A
 (1 - 2) = 245 μH Minimum, IDC = 7.0A

LOAD CONDITIONS	
IDC (1 - 2) = 7.0 A	P _{TOTAL} = 1.62 W

These Parts Are Manufactured in Strict Compliance to MIL-STD-981.

The "X" in the part number refers to the Quality Level (C, B, E, or S), see Quality Assurance Provisions above.	UNLESS OTHERWISE SPECIFIED: Dimensions are in inches, and tolerances are: Fractions Decimals Angles $\pm 1/64$.X = ± 0.1 $\pm 5^\circ$.XX = ± 0.02 .XXX = ± 0.010		COAST/ACM		
	DRAWN BY DATE Jim Allen 10/06/03		TITLE Inductor		
	DO NOT SCALE DRAWING		FSCM 22558	DWG. NO 32386X	REV.
		SCALE: none	MAX. WT.: 300 grams	SHEET 1 OF 1	