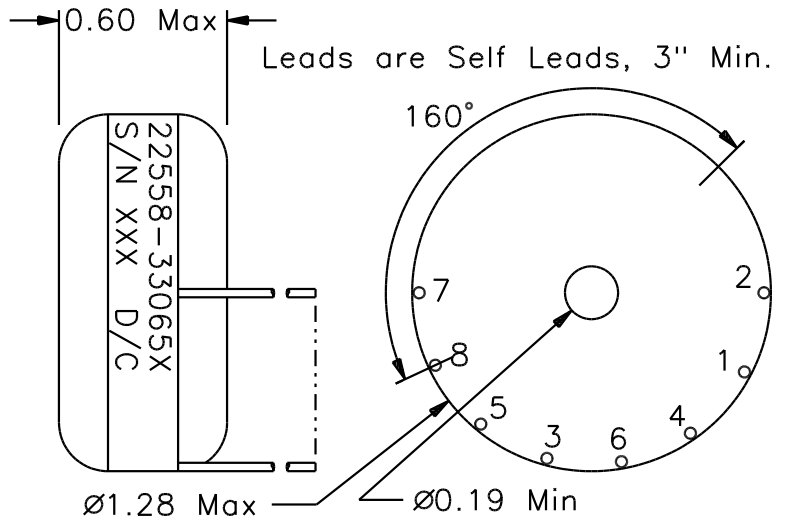


REVISIONS			
REV.	DESCRIPTION	DATE	BY



Classification

MIL-PRF-27 Grade: 6
 MIL-PRF-27 Class: S (130° C)
 Maximum Ambient Temperature: 105° C

MIL-STD-981 Quality Assurance Provisions

Class	Description	Drawing Number ¹
C	Commercial Parts	33065-30
B	Group A Inspection	33065-31B
E	Group A Inspection	33065-31S
S	Group A Inspection	33065-31S and
	Group B Inspection	33065-85

¹ The germane data will ship with the hardware.

Maximum Operating Load Conditions	
E(1 - 2) = 22 V _{RMS} , 200KHz	
P(3 - 4) = 18.2 W	P(5 - 6) = 18.2 W
P(7 - 8) = 18.0 W	P _{TOTAL} = 54.4 W

Electrical Characteristics

DC Resistance: (1 - 2) = 4.3 mΩ Maximum
 (3 - 4) = 2.1 mΩ Maximum
 (5 - 6) = 2.1 mΩ Maximum
 (7 - 8) = 9.1 mΩ Maximum

Ratio and Polarity: 3 - 4/1 - 2 = 0.30 ± 0.01
 5 - 6/1 - 2 = 0.30 ± 0.01
 7 - 8/1 - 2 = 0.70 ± 0.01

Inductance (measured at 0.5 V, 10 KHz):
 (1 - 2) = 147 μH Minimum

These Parts Are Manufactured in Strict Compliance to MIL-STD-981.

The "X" in the part number refers to the Quality Level (C, B, E, or S), see Quality Assurance Provisions above.	UNLESS OTHERWISE SPECIFIED: Dimensions are in inches, and tolerances are:		COAST/ACM		
	Fractions ±1/64	Decimals .XX = ±0.03 .XXX = ±0.010	Angles ±1/2°	TITLE Power Transformer	
	DRAWN BY Jim Allen	DATE 11/1703	FSCM 22558	DWG. NO 33065X	REV.
DO NOT SCALE DRAWING	Jim Allen	11/1703	SCALE: none	MAX. WT.: 54 grams	SHEET 1 OF 1