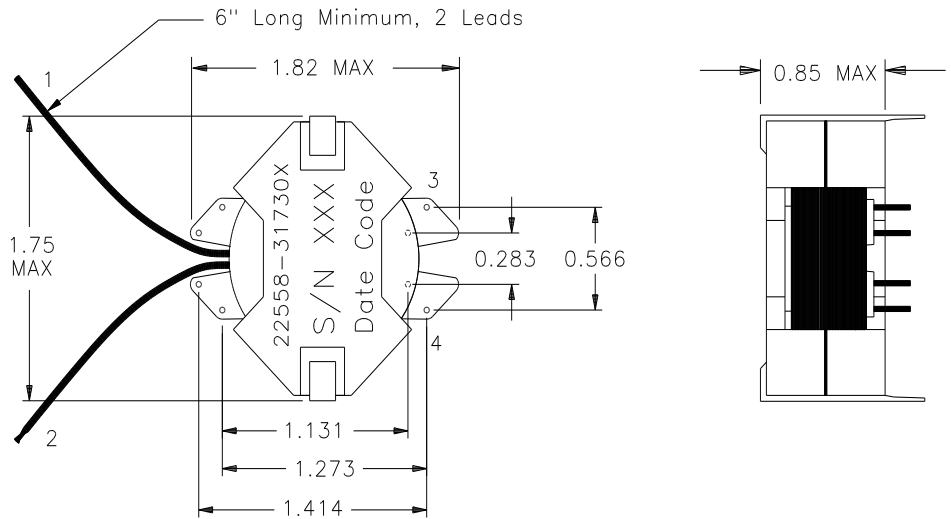


REVISIONS			
REV.	DESCRIPTION	DATE	BY



Classification

MIL-PRF-27 Grade: 6
 MIL-PRF-27 Class: S (130° C)
 Maximum Ambient Temperature: 105° C

MIL-STD-981 Quality Assurance Provisions

Class	Description	Drawing Number ¹
C	Commercial Parts	31730-30
B	Group A Inspection	31730-31B
E	Group A Inspection	31730-31S
S	Group A Inspection	31730-31S and
	Group B Inspection	31730-85

¹ The germane data will ship with the hardware.

LOAD CONDITIONS
 E(1 - 2) = 30 VRMS, 100kHz
 P(3 - 4) = 238 W P_{TOTAL} = 238 W

Electrical Characteristics

DC Resistance: (1 - 2) = 17 mΩ Maximum
 (3 - 4) = 520 mΩ Maximum

Ratio and Polarity (Ratios are varified with ungapped core prior to assembly):
 1 - 2/3 - 4 = 0.189 nominal

Inductance (measured at 0.1V, 10 KHz):
 (1 - 2) = 38 μH ± 10% @ IDC = 9A

These Parts Are Manufactured in Strict Compliance to MIL-STD-981.

The "X" in the part number refers to the Quality Level (C, B, E or S), see Quality Assurance Provisions above.	UNLESS OTHERWISE SPECIFIED: Dimensions are in inches, and tolerances are:		COAST/ACM		
	Fractions	Decimals	Angles	TITLE	
	±1/64	.X = ±0.1 .XX = ±0.03 .XXX = ±0.010	±1/2°	Power Transformer	
DRAWN BY	DATE	FSCM	DWG. NO	REV.	
Jim Allen	05/02/03	22558	31730X		
DO NOT SCALE DRAWING		SCALE: none	MAX. WT.: 67 grams	SHEET 1 OF 1	