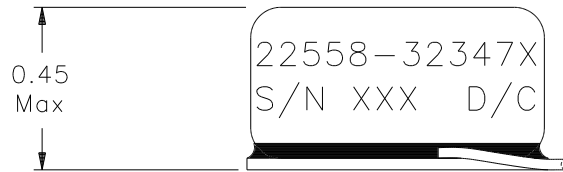
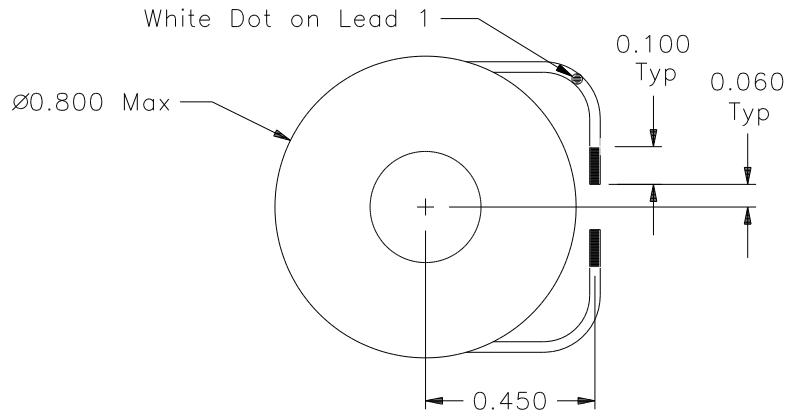


REVISIONS			
REV.	DESCRIPTION	DATE	BY



**Classification**

MIL-PRF-27 Grade: 5  
 MIL-PRF-27 Class: S (130° C)  
 Maximum Ambient Temperature: 105° C

**MIL-STD-981 Quality Assurance Provisions**

Class	Description	Drawing Number <sup>1</sup>
C	Commercial Parts	32347-30
B	Group A Inspection	32347-31B
E	Group A Inspection	32347-31S
S	Group A Inspection	32347-31S and
	Group B Inspection	32347-85

<sup>1</sup> The germane data will ship with the hardware.

LOAD CONDITIONS		
Terminals	$I_{DC}$	$P = I^2R$
1 - 2	1.8 A	0.39 W

**Electrical Characteristics**

DC Resistance: (1 - 2) = 120 mΩ Maximum

Inductance (measured at 1.0V, 10 KHz):

(1 - 2) = 213 μH ± 10%,  $I_{DC} = 0$   
 (1 - 2) = 167 μH Minimum,  $I_{DC} = 1.8A$

**These Parts Are Manufactured in Strict Compliance to MIL-STD-981.**

The "X" in the part number refers to the Quality Level (C, B, E or S), see Quality Assurance Provisions above.	UNLESS OTHERWISE SPECIFIED: Dimensions are in inches, and tolerances are:		<b>COAST/ACM</b>		
	Fractions	Decimals	Angles	TITLE	
	±1/64	.X = ±0.1 .XX = ±0.03 .XXX = ±0.010	±1/2°	<b>Inductor</b>	
	DRAWN BY	DATE	FSCM	DWG. NO	REV.
	Jim Allen	03/21/03	22558	32347X	
DO NOT SCALE DRAWING			SCALE: none	MAX. WT.: 20 grams	SHEET 1 OF 1