

REVISIONS			
REV.	DESCRIPTION	DATE	BY

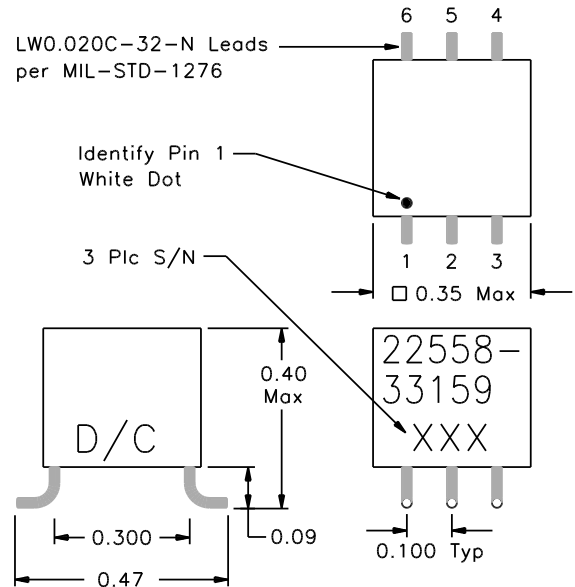
Classification

MIL-PRF-27 Grade: 5
 MIL-PRF-27 Class: S (130° C)
 Maximum Ambient Temperature: 105° C

MIL-STD-981 Quality Assurance Provisions

Class	Description	Drawing Number ¹
C	Commercial Parts	33159-30
B	Group A Inspection	33159-31B
E	Group A Inspection	33159-31S
S	Group A Inspection	33159-31S and
	Group B Inspection	33159-85

¹ The germane data will ship with the hardware.



Maximum Operating Load
 E(1 - 2) = 0.2V_{rms}, 22kHz
 P_{TOTAL} < 0.8W

Electrical Characteristics

Inductance (measured at 0.1 V, 100 KHz):
 1 - 2 = 25 μH, Minimum

Turns Ratio and Polarity:
 1 - 2/6 - 5 = 0.417 ± 0.010
 3 - 4/6 - 5 = 0.333 ± 0.010

DC Resistance: 1 - 2 = 100 mΩ Maximum
 3 - 4 = 90 mΩ Maximum
 5 - 6 = 120 mΩ Maximum

These Parts Are Manufactured in Strict Compliance to MIL-STD-981.

The "X" in the part number refers to the Quality Level (C, B, E, or S), see Quality Assurance Provisions above.	UNLESS OTHERWISE SPECIFIED: Dimensions are in inches, and tolerances are:		COAST/ACM		
	Fractions ±1/64	Decimals .XX = ±0.02 .XXX = ±0.010	Angles ±1/2°	TITLE Pulse Transformer	
	DRAWN BY Jim Allen	DATE 05/26/04	FSCM 22558	DWG. NO 33159X	REV.
DO NOT SCALE DRAWING	Jim Allen	05/26/04	SCALE: none	MAX. WT.: 5 grams	SHEET 1 OF 1