

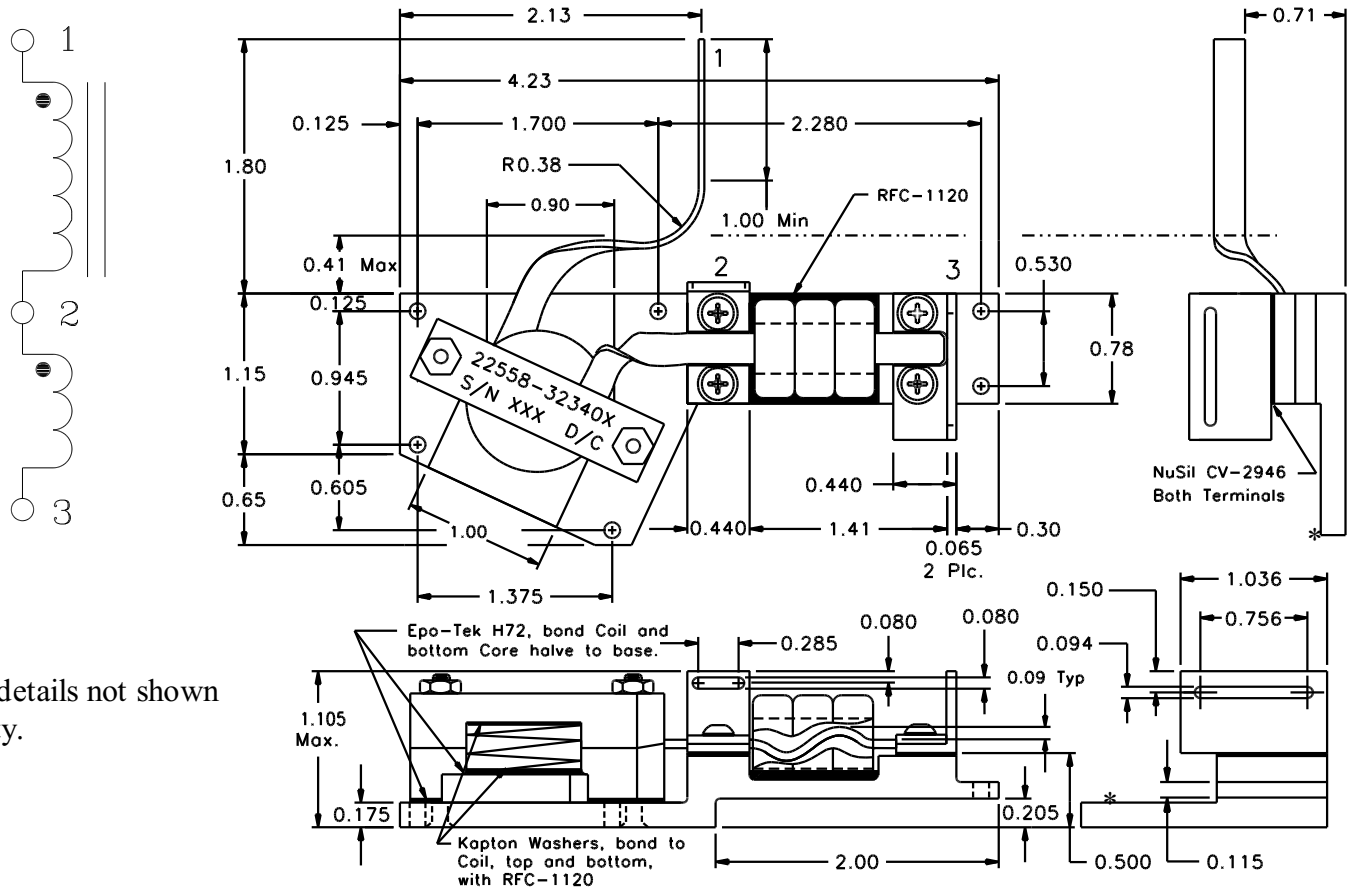
**LOAD CONDITIONS**

$I_{DC} = 50 \text{ A}$

$P_{TOTAL} = 3.25 \text{ W}$

**REVISIONS**

REV.	DESCRIPTION	DATE	BY



**Classification:** MIL-PRF-27 Grade: 6 – MIL-PRF-27 Class: S (130° C) – Maximum Ambient Temp: 105° C

MIL-STD-981 Quality Assurance Provisions

Class	Description	Drawing Number
C	Commercial Parts	32340-30
B	Group A Inspection	32340-31B
E	Group A Inspection	32340-31S
S	Group A Inspection	32340-31S and
	Group B Inspection	32340-85

Electrical Characteristics

DC Resistance: (1 - 2) = 1.1 mΩ Maximum  
(1 - 3) = 1.2 mΩ Maximum

Inductance (measured at 0.1 V, 10 KHz):  
(1 - 3) = 3.2 μH Minimum,  $I_{DC} = 50 \text{ A}$   
(2 - 3) = 342 nH Nominal,  $I_{DC} = 0 \text{ A}$

**These Parts Are Manufactured in Strict Compliance to MIL-STD-981.**

The "X" in the part number refers to the Quality Level (C, B, E, or S), see Quality Assurance Provisions above.	UNLESS OTHERWISE SPECIFIED: Dimensions are in inches, and tolerances are:		<b>COAST/ACM</b>		
	Fractions ±1/64	Decimals .XX = ±0.03 .XXX = ±0.010	Angles ±1/2°	<b>Inductor Assembly</b>	
	DRAWN BY Jim Allen	DATE 1/10/03	FSCM 22558	DWG. NO 32340X	REV.
	DO NOT SCALE DRAWING		SCALE: none	MAX. WT.: 180 grams	SHEET 1 OF 1