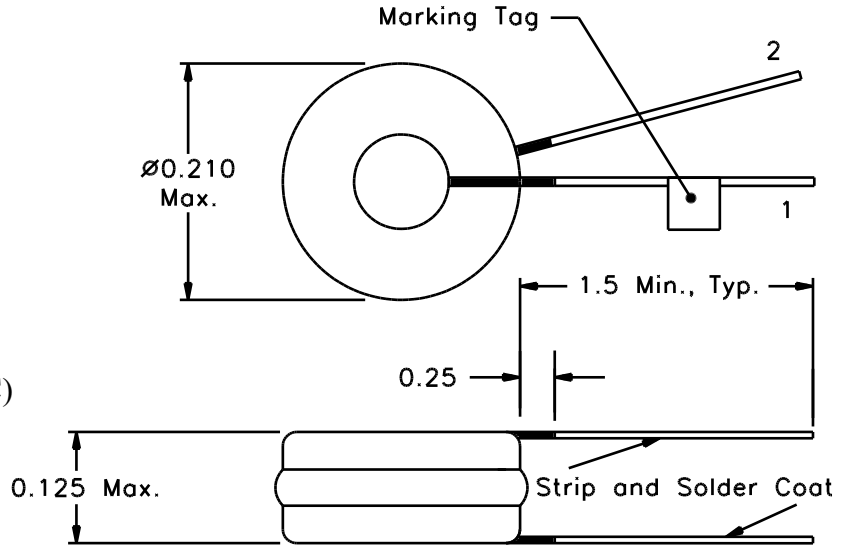


REVISIONS			
REV.	DESCRIPTION	DATE	BY



**Classification**

MIL-PRF-27 Grade: 6  
 MIL-PRF-27 Class: S (130° C)  
 Maximum Ambient Temperature: 105° C

**MIL-STD-981 Quality Assurance Provisions**

Class	Description	Drawing Number <sup>1</sup>
C	Commercial Parts	33009-30
B	Group A Inspection	33009-31B
E	Group A Inspection	33009-31S
S	Group A Inspection	33009-31S and
	Group B Inspection	33009-85

<sup>1</sup> The germane data will ship with the hardware.

<u>LOAD CONDITIONS</u>	
IDC (1 - 2) = 0.41 A	P <sub>TOTAL</sub> < 0.2 W

**Electrical Characteristics**

DC Resistance: (1 - 2) = 74 mΩ Maximum

Inductance (measured at 0.1 V, 10 KHz):

(1 - 2) = 2.7 μH -10%, +74%, IDC = 0A

(1 - 2) = 2.4 μH Min., IDC = 0.41A

**These Parts Are Manufactured in Strict Compliance to MIL-STD-981.**

The "X" in the part number refers to the Quality Level (C, B, E, or S), see Quality Assurance Provisions above.	UNLESS OTHERWISE SPECIFIED: Dimensions are in inches, and tolerances are:		<b>COAST/ACM</b>		
	Fractions	Decimals	Angles	TITLE	
	±1/64	.X = ±0.1 .XX = ±0.03 .XXX = ±0.010	±10°	<b>Inductor</b>	
	DRAWN BY	DATE	FSCM	DWG. NO	REV.
	Jim Allen	07/30/03	22558	33009X	
DO NOT SCALE DRAWING			SCALE: none	MAX. WT.: 1.0 grams	SHEET 1 OF 1