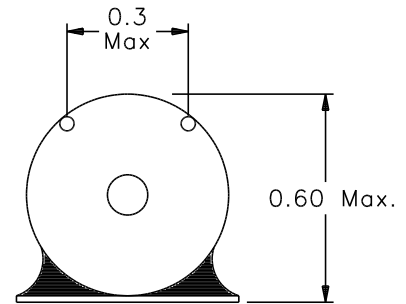
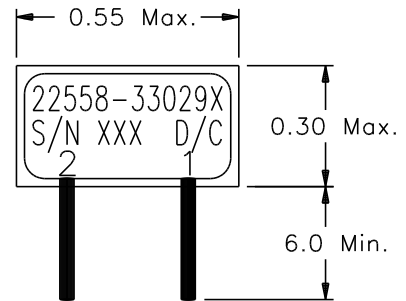


REVISIONS			
REV.	DESCRIPTION	DATE	BY



Classification

MIL-PRF-27 Grade: 6
 MIL-PRF-27 Class: S (130° C)
 Maximum Ambient Temperature: 105° C

MIL-STD-981 Quality Assurance Provisions

Class	Description	Drawing Number ¹
C	Commercial Parts	33029-30
B	Group A Inspection	33029-31B
E	Group A Inspection	33029-31S
S	Group A Inspection Group B Inspection	33029-31S and 33029-85

¹ The germane data will ship with the hardware.

<u>LOAD CONDITIONS</u>	
IDC (1 - 2) = 0.4 A	P _{TOTAL} < 0.2 W

Electrical Characteristics

DC Resistance: (1 - 2) = 20 mΩ Maximum

Volt-Seconds: (1 - 2) = 53 μV-Sec Minimum, measured at 10kHz Sqr. Wave, I_{pk} = 400 mA ± 10%, R_s = 1Ω

These Parts Are Manufactured in Strict Compliance to MIL-STD-981.

The "X" in the part number refers to the Quality Level (C, B, E, or S), see Quality Assurance Provisions above.	UNLESS OTHERWISE SPECIFIED: Dimensions are in inches, and tolerances are:		COAST/ACM		
	Fractions ±1/64	Decimals .X = ±0.1 .XX = ±0.02 .XXX = ±0.010	Angles ±5°	TITLE Inductor	
	DRAWN BY Jim Allen	DATE 08/07/03	FSCM 22558	DWG. NO 33029X	REV.
DO NOT SCALE DRAWING			SCALE: none	MAX. WT.: 4 grams	SHEET 1 OF 1