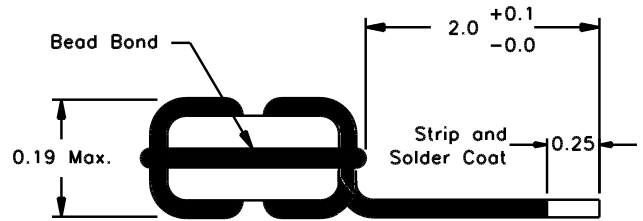
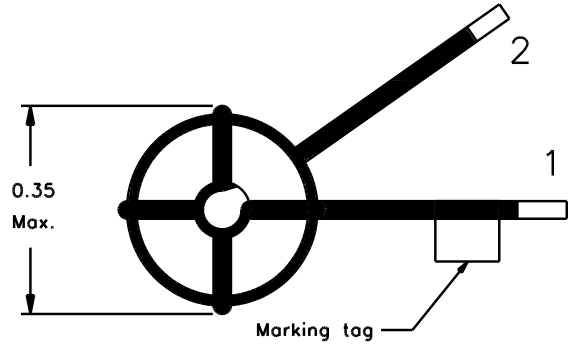


REVISIONS			
REV.	DESCRIPTION	DATE	BY



**Classification**

MIL-PRF-27 Grade: 6  
 MIL-PRF-27 Class: S (130° C)  
 Maximum Ambient Temperature: 105° C

**MIL-STD-981 Quality Assurance Provisions**

Class	Description	Drawing Number <sup>1</sup>
C	Commercial Parts	32335-30
B	Group A Inspection	32335-31B
E	Group A Inspection	32335-31S
S	Group A Inspection	32335-31S and
	Group B Inspection	32335-85

<sup>1</sup> The germane data will ship with the hardware.

<b>Maximum Operating Load Conditions</b>	
IDC = 1.7A	PTOTAL < 0.2W

**Electrical Characteristics**

DC Resistance: (1 - 2) = 10 mΩ Maximum

Inductance (measured at 0.1 V, 10 KHz):  
 (1 - 2) = 1.9 μH ± 15%, with IDC = 0A  
 (1 - 2) = 1.5 μH Minimum, with IDC = 1.7A

**These Parts Are Manufactured in Strict Compliance to MIL-STD-981.**

The "X" in the part number refers to the Quality Level (C, B, E, or S), see Quality Assurance Provisions above.	UNLESS OTHERWISE SPECIFIED: Dimensions are in inches, and tolerances are:		<b>COAST/ACM</b>		
	Fractions ±1/64	Decimals .XX = ±0.03 .XXX = ±0.010	Angles ±1/2°	TITLE <b>Power Transformer</b>	
	DRAWN BY Jim Allen	DATE 10/21/02	FSCM 22558	DWG. NO 32335X	REV.
DO NOT SCALE DRAWING			SCALE:	MAX. WT.: 2.0 grams	SHEET 1 OF 1