

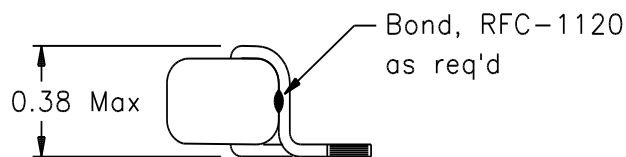
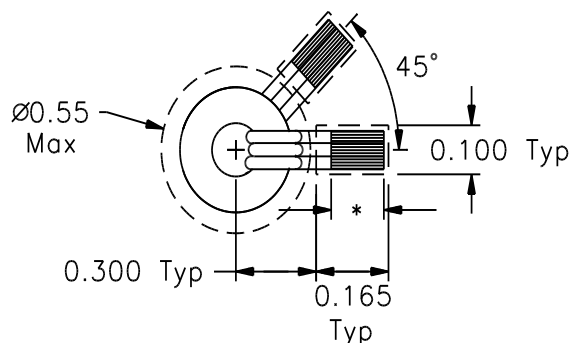
REVISIONS			
REV.	DESCRIPTION	DATE	BY

**Marking:**

Bag and Tag with Part Number, Serial Number and Date Code.

Classification

MIL-PRF-27 Grade: 6  
MIL-PRF-27 Class: S (130° C)  
Maximum Ambient Temperature: 105° C



\* strip and solder coat 0.12 Min. within indicated areas.

MIL-STD-981 Quality Assurance Provisions

Class	Description	Drawing Number <sup>1</sup>
C	Commercial Parts	32395-30
B	Group A Inspection	32395-31B
E	Group A Inspection	32395-31S
S	Group A Inspection	32395-31S and
	Group B Inspection	32395-85

<sup>1</sup> The germane data will ship with the hardware.

Maximum Operating Load Conditions  
IDC = 7.0 A  
PTOTAL < 0.2 W

Electrical Characteristics

DC Resistance = 3.0 mΩ Maximum

Inductance = 3.3 μH Minimum @ 0.10V, 10kHz, IDC = 0

**These Parts Are Manufactured in Strict Compliance to MIL-STD-981.**

The "X" in the part number refers to the Quality Level (C, B, E, or S), see Quality Assurance Provisions above.	UNLESS OTHERWISE SPECIFIED: Dimensions are in inches, and tolerances are:		<b>COAST/ACM</b>		
	Fractions ±1/64	Decimals .XX = ±0.03 .XXX = ±0.010	Angles ±5°	TITLE <b>Saturable Reactor</b>	
	DRAWN BY Jim Allen	DATE 6/25/04	FSCM <b>22558</b>	DWG. NO <b>32395X</b>	REV.
DO NOT SCALE DRAWING			SCALE: none	MAX. WT.: 6 gram	SHEET 1 OF 1