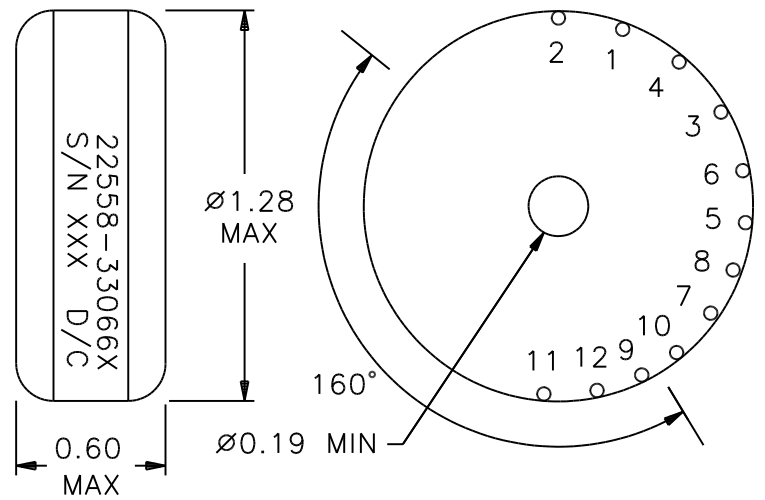


REVISIONS			
REV.	DESCRIPTION	DATE	BY



Leads are 3" long, min.,
Stripped and Solder Coated 1/2"

Classification

MIL-PRF-27 Grade: 6
MIL-PRF-27 Class: S (130° C)
Maximum Ambient Temperature: 105° C

MIL-STD-981 Quality Assurance Provisions

Class	Description	Drawing Number ¹
C	Commercial Parts	33066-30
B	Group A Inspection	33066-31B
E	Group A Inspection	33066-31S
S	Group A Inspection	33066-31S and Group B Inspection 33066-85

¹ The germane data will ship with the hardware.

<u>Maximum Operating Load Conditions</u>	
E(1 - 2) = 22 V _{RMS} , 200KHz	
P(3 - 4) = 9.34 W	P(5 - 6) = 20.36 W
P(7 - 8) = 17.74 W	P(9 - 10) = 3.80W
P(11 - 12) = 1.40 W	P _{TOTAL} = 52.64 W

Electrical Characteristics

DC Resistance: (1 - 2) = 7.0 mΩ (7 - 8) = 16 mΩ
(Maximum) (3 - 4) = 13 mΩ (9 - 10) = 26 mΩ
(5 - 6) = 10 mΩ (11 - 12) = 197 mΩ

Ratio and Polarity: 1 - 2/7 - 8 = 0.92 ± 0.03
3 - 4/7 - 8 = 0.69 ± 0.03
5 - 6/7 - 8 = 0.85 ± 0.03
9 - 10/7 - 8 = 0.54 ± 0.02
11 - 12/7 - 8 = 1.00 ± 0.02

Inductance (measured at 0.5 V, 10 KHz):
(1 - 2) = 190 μH Minimum

These Parts Are Manufactured in Strict Compliance to MIL-STD-981.

The "X" in the part number refers to the Quality Level (C, B, E, or S), see Quality Assurance Provisions above.	UNLESS OTHERWISE SPECIFIED: Dimensions are in inches, and tolerances are:		COAST/ACM		
	Fractions ±1/64	Decimals .XX = ±0.03 .XXX = ±0.010	Angles ±1/2°	TITLE Power Transformer	
	DRAWN BY Jim Allen	DATE 10/27/03	FSCM 22558	DWG. NO 33066X	REV.
DO NOT SCALE DRAWING	Jim Allen	10/27/03	SCALE: none	MAX. WT.: 54 grams	SHEET 1 OF 1