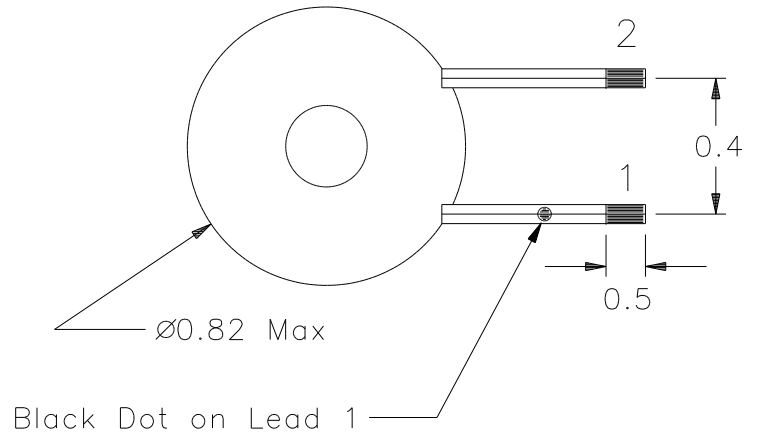


REVISIONS			
REV.	DESCRIPTION	DATE	BY



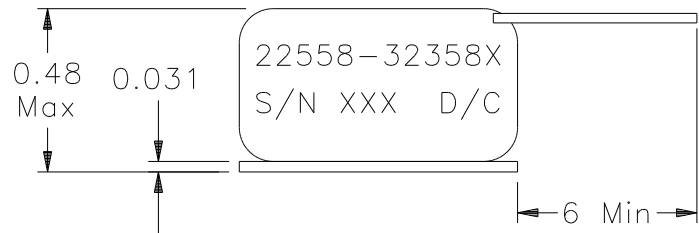
Classification

MIL-PRF-27 Grade: 6
 MIL-PRF-27 Class: S (130° C)
 Maximum Ambient Temperature: 105° C

MIL-STD-981 Quality Assurance Provisions

Class	Description	Drawing Number ¹
C	Commercial Parts	32358-30
B	Group A Inspection	32358-31B
E	Group A Inspection	32358-31S
S	Group A Inspection	32358-31S and
	Group B Inspection	32358-85

¹ The germane data will ship with the hardware.



LOAD CONDITIONS		
Terminals	I _{DC}	P = I ² R
1 - 2	2.94 A	0.31 W

Electrical Characteristics

DC Resistance: (1 - 2) = 36 mΩ Maximum

Inductance (measured at 0.1V, 10 KHz):

- (1 - 2) = 48 μH +12, -10%, I_{DC} = 0
- (1 - 2) = 40 μH Minimum, I_{DC} = 2.8A

These Parts Are Manufactured in Strict Compliance to MIL-STD-981.

The "X" in the part number refers to the Quality Level (C, B, E or S), see Quality Assurance Provisions above.	UNLESS OTHERWISE SPECIFIED: Dimensions are in inches, and tolerances are:		COAST/ACM		
	Fractions	Decimals	Angles	TITLE	
	±1/64	.X = ±0.1 .XX = ±0.03 .XXX = ±0.010	±1/2°	Inductor	
	DRAWN BY	DATE	FSCM	DWG. NO	REV.
	Jim Allen	03/26/03	22558	32358X	
DO NOT SCALE DRAWING			SCALE: none	MAX. WT.: 17 grams	SHEET 1 OF 1