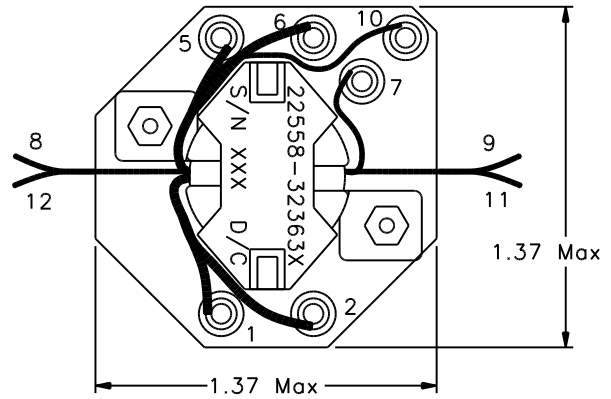


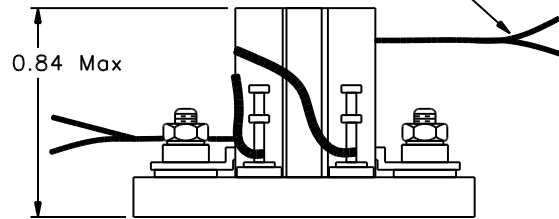
REVISIONS			
REV.	DESCRIPTION	DATE	BY

Self Leads: 1, 2, 5, & 6



AWG #26 Flex Leads, 6 plc (7 - 12)

9 Min, 4 Leads



Classification

MIL-PRF-27 Grade: 6
 MIL-PRF-27 Class: S (130° C)
 Maximum Ambient Temperature: 105° C

MIL-STD-981 Quality Assurance Provisions

Class	Description	Drawing Number ¹
C	Commercial Parts	32363-30
B	Group A Inspection	32363-31B
E	Group A Inspection	32363-31S
S	Group A Inspection	32363-31S and
	Group B Inspection	32363-85

¹ The germane data will ship with the hardware.

Maximum Operating Load Conditions

IDC (1-2) = 4.2A P(1 - 2) = 0.14 W
 IDC (5-6) = 4.2A P(5 - 6) = 0.14 W
 P_{TOTAL} = 0.28 W

Electrical Characteristics

DC Resistance: (1 - 2) = 8.0 mΩ (9 - 10) = 541 mΩ
 (Maximum) (5 - 6) = 8.0 mΩ (11 - 12) = 650 mΩ
 (7 - 8) = 150 mΩ

Inductance, measured at 0.5 V, 10kHz:

Lo (1 - 2) = 11 μH ± 10%, IDC = 0
 (1 - 2) = Lo -10% Minimum, IDC = 4.2A

Ratio and Polarity: (Ratios are verified with un-gapped core prior to assembly)

1 - 2/11 - 12 = 0.39 Nominal
 5 - 6/11 - 12 = 0.39 Nominal
 7 - 8/11 - 12 = 0.161 Nominal
 9 - 10/11 - 12 = 0.87 Nominal

These Parts Are Manufactured in Strict Compliance to MIL-STD-981.

The "X" in the part number refers to the Quality Level (C, B, E or S), see Quality Assurance Provisions above.	UNLESS OTHERWISE SPECIFIED: Dimensions are in inches, and tolerances are:		COAST/ACM		
	Fractions	Decimals	Angles	TITLE	
	±1/64	.X = ±0.1 .XX = ±0.03 .XXX = ±0.010	±1/2°	Coupled Inductor	
	DRAWN BY	DATE	FSCM	DWG. NO	REV.
	Jim Allen	03/27/03	22558	32363X	
DO NOT SCALE DRAWING			SCALE: none	MAX. WT.: 36 grams	SHEET 1 OF 1