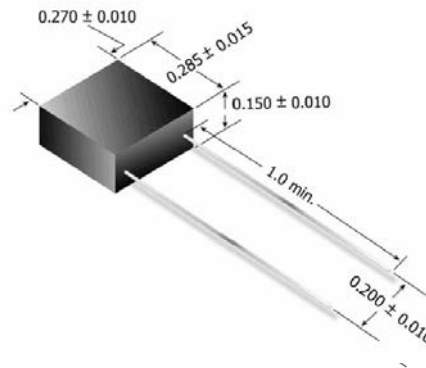


# 24000 Series

# MIL-PRF-27

## RF Inductor



### FEATURES

- Inductance Tolerances: Tighter tolerances upon request
- Maximum Dissipation: 1/5-Watt
- Inductance TC: +20 ppm/°C nominal; +50 ppm/°C max
- Leads: Tin-lead coated copper wire
- Military QPL Approved
- Welded Internal Connections, Transfer Molded Package
- Custom Designs: Other electrical configurations and performance characteristics are available in various sizes and package types

### SPECIFICATIONS

- Built to meet MIL-PRF-15305
- Operating temperature range: -55°C to 125°C
- Frequency Range: 1 to 50 MHz
- Dielectric Withstanding Voltage: 700 Vrms
- Temperature rise (at 90°C): 35°C
- Terminal Pull: 5 pounds
- Moisture, Shock, Immersion Resistant
- Overload current: 1.4 times the rated current
- Space Application: Available to MIL-STD-981
- Outgassing meets NASA spec SP-R-0022A: TML < 1%

Military Dash Number	Type Designation	C/ACM P/N	Inductance (μH)	Test Freq (MHz)	Q Min	SRF Min (MHz)	DCR Max (Ω)	Current Max (mA)
MS21424-01	LT4K546	24001	10 ± 5%	2.5	75	35	1.1	550
MS21424-02	LT4K547	24002	12 ± 5%	2.5	75	31	1.3	500
MS21424-03	LT4K548	24003	15 ± 5%	2.5	75	27	1.5	450
MS21424-04	LT4K549	24004	18 ± 5%	2.5	80	24	1.9	410
MS21424-05	LT4K550	24005	22 ± 5%	2.5	80	22	2.3	380
MS21424-06	LT4K551	24006	27 ± 5%	2.5	80	20	2.7	350
MS21424-07	LT4K552	24007	33 ± 5%	2.5	80	18	3.3	320
MS21424-08	LT4K553	24008	39 ± 5%	2.5	80	16	3.9	290
MS21424-09	LT4K554	24009	47 ± 5%	2.5	80	14	4.7	260
MS21424-10	LT4K555	24010	56 ± 5%	2.5	80	12	5.6	240
MS21424-11	LT4K556	24011	68 ± 5%	2.5	80	11	6.8	220
MS21424-12	LT4K557	24012	82 ± 5%	2.5	80	10	8.1	200
MS21424-13	LT4K558	24013	100 ± 5%	2.5	80	9.1	9.7	180
MS21424-14	LT4K559	24014	120 ± 5%	.79	45	8.2	12.0	160
MS21424-15	LT4K560	24015	150 ± 5%	.79	45	7.3	14.0	150
MS21424-16	LT4K561	24016	180 ± 5%	.79	45	6.4	17.0	140
MS21424-17	LT4K562	24017	220 ± 5%	.79	50	5.6	20.0	130
MS21424-18	LT4K563	24018	270 ± 5%	.79	55	5.0	24.0	120
MS21424-19	LT4K564	24019	330 ± 5%	.79	55	4.4	19.0	130
MS21424-20	LT4K565	24020	390 ± 5%	.79	55	3.9	22.0	120
MS21424-21	LT4K566	24021	470 ± 5%	.79	55	3.5	27.0	110
MS21424-22	LT4K567	24022	560 ± 5%	.79	55	3.1	32.0	100
MS21424-23	LT4K568	24023	680 ± 5%	.79	55	2.8	19.0	130
MS21424-24	LT4K569	24024	820 ± 5%	.79	50	2.5	23.0	120
MS21424-25	LT4K570	24025	1000 ± 5%	.79	50	2.2	27.0	110



Coast / Advanced Chip Magnetics

4225 Spencer Street, Torrance CA 90503 · Phone 310-370-8188 · Fax 310-370-8388

Web: www.coastacm.com · Email: sales@coastacm.com